

ALF

SMT Innovation

Auto Loading Feeder

Auto feed of tape-mounted parts

Auto loading function is simple and usable by anyone, anywhere for feeding of tape-mounted parts. High-speed tape loading time of approximately 5 seconds.

Note: Tape feed start-to-pickup prep completion.

■ Labor-saver!

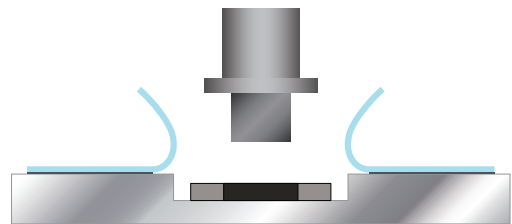
- Cuts down on tape setting task time
- Needs no top tape recovery
- Needs no splicing work

■ Slashes costs

- Needs no tape splicing

Top tape anti-peeling technique

Unique center-open method reduces part pickup errors occurring due to static electricity and fiber residue from peeling tape.

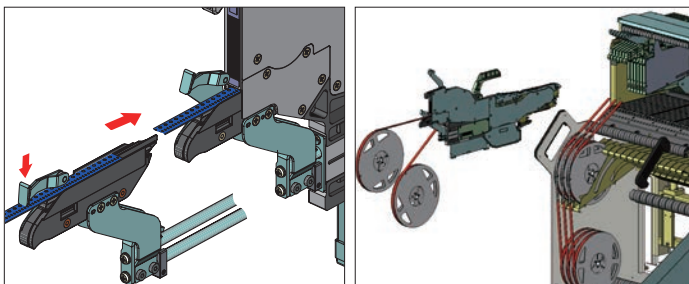


■ Improved machine operating time

- No machine stoppage from parts outages

Superb operability

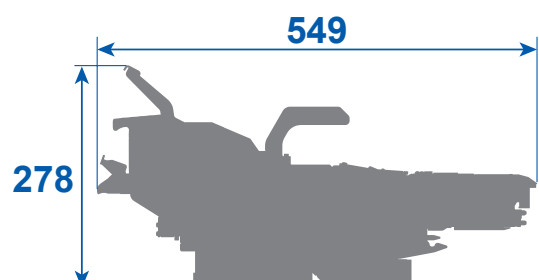
■ Tape setting mechanism designed for easy operability



Super-easy to set since it easily pulls out from the feed position even with feeders on both sides.

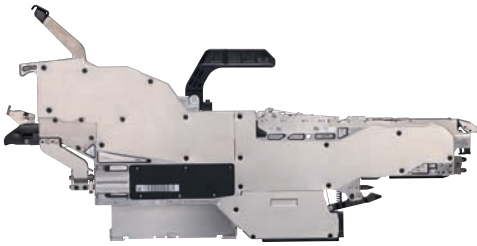
Two reels can be set anytime regardless of part feed timing.

Auto loading function comes in a light-weight compact size and reduces the workload of the operator.



■ ES/SS/ZS feeder joint interface

Supports YS/YSM series mounter with tape-cutter.
Supports IT options, and can provide part insertion error preventer and preset display.



Z:TA-R



Z:LEX



YSM10

■ High-speed component feed

Supports super high-speed YSM40R-RS head operation. Feeder can be replaced non-stop during ongoing operation.

■ 4 feeder types

Supports component sizes from 1005 to 3216.
4 types of feeders are available according to the component.

■ Tape cutter jig

ALF dedicated jig cuts tape at specified matching position.



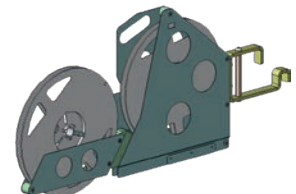
■ Tape leveler

Jig smoothly and efficiently processes the top tape.



■ Reel holder

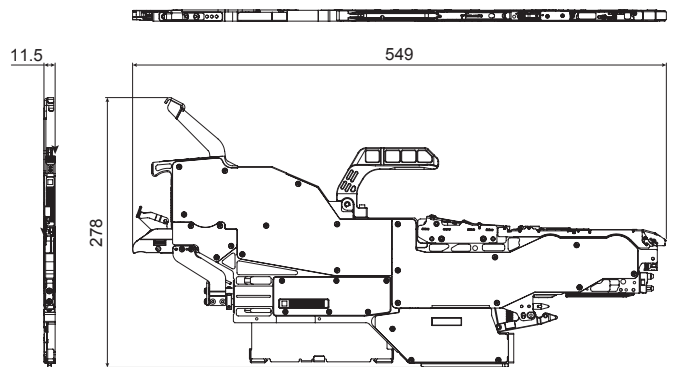
Attachment reel holder allows setting spare reel in carriage.



■ ALF Specifications

Model	Auto Loading Feeder
External dimension (excluding projections)	L 549 mm × W 11.5 mm × H 278 mm
Weight	Approx. 1.50 kg
Compatible tape	Width 8 mm, maximum thickness 1 mm * There are restrictions. Please contact us for more details.
Applicable reel specifications	Material Paper / (Emboss* In development) * Pressure Sensitive Adhesive Cover Tape (PSA) cannot correspond. Feed pitch setting 2 mm / 4 mm Reel width 14.4 mm or less, Ø 382 mm or less When using applicable reel holder, reel width 13.6 mm or less, Ø 178 mm or less
8 mm-converted installation occupied width	12 mm pitch (same as 8 mm ZS feeder)
Loadable minimum tape length	400 mm or more
Applicable components	1005 to 3216 mm (0402"-1206")
Feeder type	4 types S (1005) / M (1608) / L (2012) / LL (3216)
Tape loading time	Approx. 5 sec * From tape feed start to pickup preparation completion.
Compatible mounter	YS / YSM series with tape cutter

■ External dimension



Note: Specifications and appearance are subject to change without prior notice.

Yamaha Motor Europe N.V.
Niederlassung Deutschland, Geschäftsbereich IM
German Branch Office, IM Business
Hansemannstrasse 12 · 41468 Neuss · Germany
Tel: +49-2131-2013520
info-ymeim@yamaha-motor.de
www.yamaha-motor-im.eu